

## OPERATING INSTRUCTION

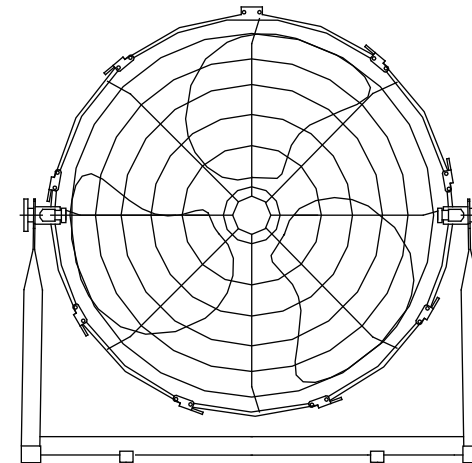
1. The fan must use the voltage specified on the name plate. It isn't suitable to use the fan in the too moist or corrosive surrounding.
2. You can get three speeds by pressing switch button, the number 0、1、2、3 means OFF, low speed, medium speed, high speed.
3. Adjustment of the pitch angle : Loosen the adjusting nut and set the guards to form a pitch (attitude) angle as You required and tighten the nut.
4. Bare-body children and elder should not be in the wind for a long time.
5. To be careful when the fan is used near the opened window, curtain portiere or foliage.
6. Please attend to our remark: "INDOOR USE ONLY!"

## CAUTIONS

1. To avoid causing an accident, don't touch the fan blades with Your hand or a hard matter before the fan is stopped.
2. Don't lug the power lead outwards forcedly to avoid that the lead comes off.
3. Don't replace the power lead yourself. To ensure the safety, the power lead must be replaced by special repair service authorized by us or send to us if the lead is absolutely to be replaced.
4. To clean the fan, first cut off the power, remove the guards and fan blades, wash the dirt away with a soft cloth wetted by soap water or alcohol and wipe with a dry cloth. Don't use gasoline or any liquid etching the plastics and painting. Pay attention to that the fan blades shouldn't be impacted and the angle of blades shouldn't be changed.

**ralight**<sup>®</sup>  
HOLLAND

## GROUND POWERFUL FAN



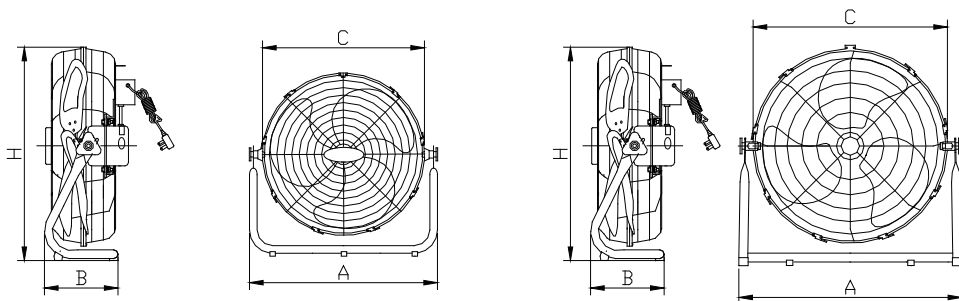
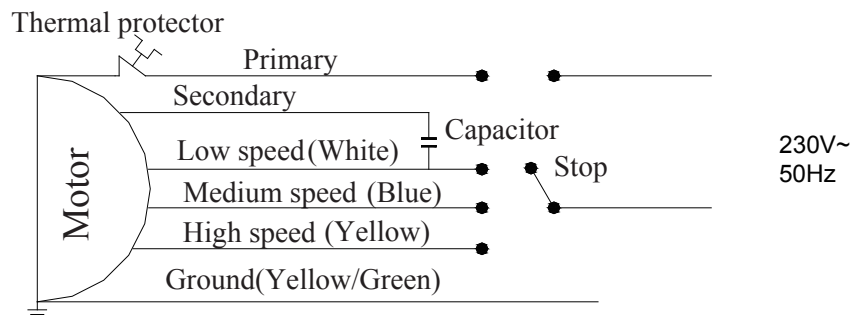
Please read this manual carefully before operating the fan

[www.ralight-holland.com](http://www.ralight-holland.com)

### FEATURE AND APPLICATION

This powerful electric fan of desk and stand type of FE series is optimizedly designed and elaborately produced with 3 steps speed control function. The air delivery angle can be adjusted up and downwards at will in a range more than 90°. In the motor, a thermal protector is integrated which can operate repeatedly. The fan is using the low-noise bearings and the fine-mesh guards. The fan has such characteristics as safe and smooth running with abound air volume, low noise, low temperature rise, low power consumption, stabile median point and easily movable. It is an ideal electric appliance used for air ventilation and cooling in factories, mining areas, vehicle repair shops and other public places.

### WIRING DRAWING

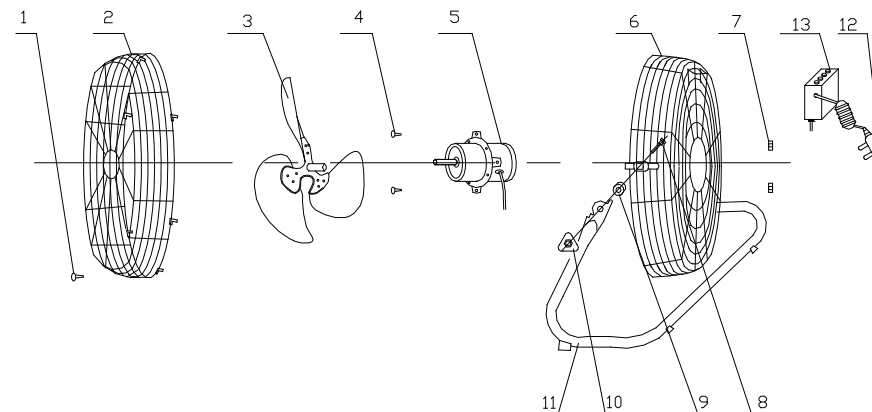


### Technical Parameter and Dimensions

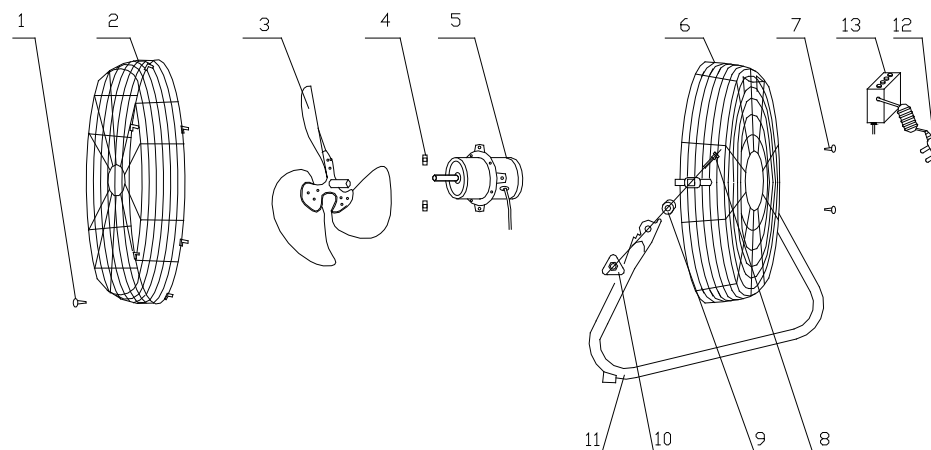
Type	Stage 1				Stage 2				Stage 3				Dimensions mm			
	Power	Speed	Noise	Air volume	Power	Speed	Noise	Air volume	Power	Speed	Noise	Air volume				
	W	rpm	dB	m <sup>3</sup> /min	W	rpm	dB	m <sup>3</sup> /min	W	rpm	dB	m <sup>3</sup> /min	A	B	C	H
FE-30	31	950	55	27	35	1150	58	33	50	1400	60	41	390	200	360	405
FE4-40	67	950	58	48	80	1150	60	58	100	1400	62	72	520	205	460	490
FE4-45	70	950	63	57	90	1150	66	69	110	1400	69	84	530	195	495	530
FE4-50	90	950	65	65	115	1150	68	78	150	1400	71	96	620	215	560	565

- >90° Adjustmet of the pitch angle
- 3 steps speed control function
- the product with the dissimilarity of power and frequency for choice

### Assembly scheme



FE4-40、FE4-45、FE4-50



FE-30

- 1、Screw 2、Front guard 3、Blade 4、Screw 5、Motor 6、Rear guard
- 7、Nut 8、Square-necs bole 9、Rubber washer 10、Lock nut
- 11、Supporter 12、Power liner 13、Box