

### Quality Guarantee

1. Under normal operation, any breakdown caused by quality can be exchanged or fixed free change within one year (base on sale date).
2. The product has a permanent maintenance material and repairing will be charged after "Guarantee period".
3. In the following cases, guarantee is not applicable:
  - a. Breakdown not caused by disassembly, refitment, repair of our company.
  - b. Natural disaster and other wrong operation.
  - c. Valid without stamp of sell and tie indicator year.

### MAINTENANCES

1. The fan must be cleaned periodically to keep clean and attractive.
2. Open the net ring, remove the net(1) and blade(2). Use mild detergent or alcohol to clean off the dirt on the fan.
3. Don't web the motor during cleaning.
4. Assemble the fan after cleaning. Be sure the blade is properly fixed in the bearing, close the four clips and fix the screw in the guard.
5. After assembling, run fan with a slim pole to ensure well-balance and have no grating.

### Notice

1. Avoid the guard and blade deformed during maintenances.
2. The power supply must be closed during the whole maintenances.



## 18" & 20" STAND/FLOOR/WALL FAN

### OPERATING INSTRUCTIONS




Before operating this series unit  
please read instructions completely

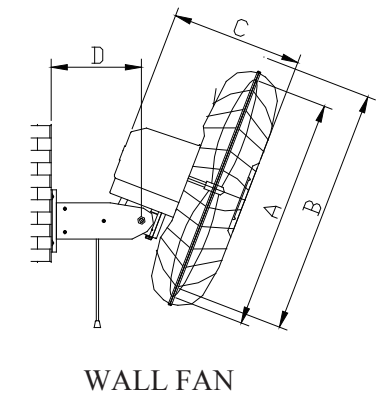
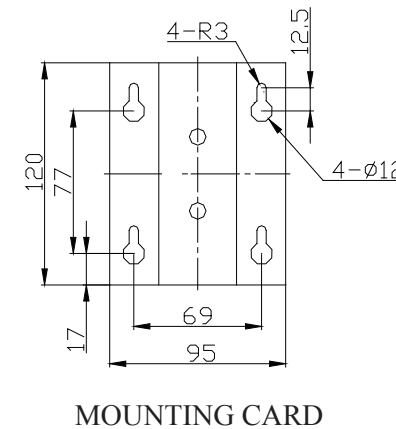
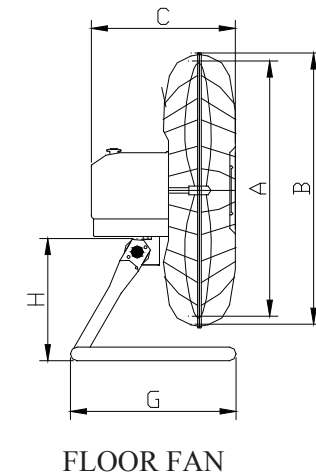
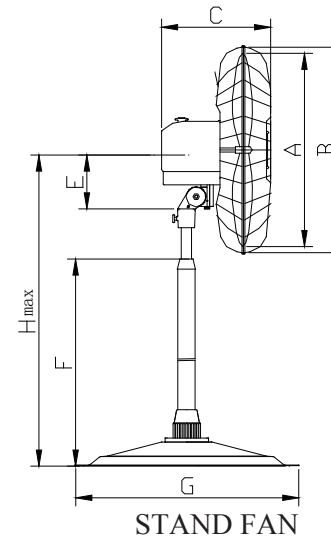
[www.ralight-holland.com](http://www.ralight-holland.com)

### CHARACTERS

- 1、 Optimized design,elaborately making,the fan is luxury,safe and easy to use.
- 2、 Adopt nice pressure casting technology,light weight and large air delivery.
- 3、 Excellent winding design and with ball bearing,low noise and durable.
- 4、 Build thermal fuse in the motor and ensure overload protective.
- 5、 With three speeds,wind angel can be adjusted up and down.
- 6、 It is suitable to be used in living room,marketplace,hotel,warehouse and so on.

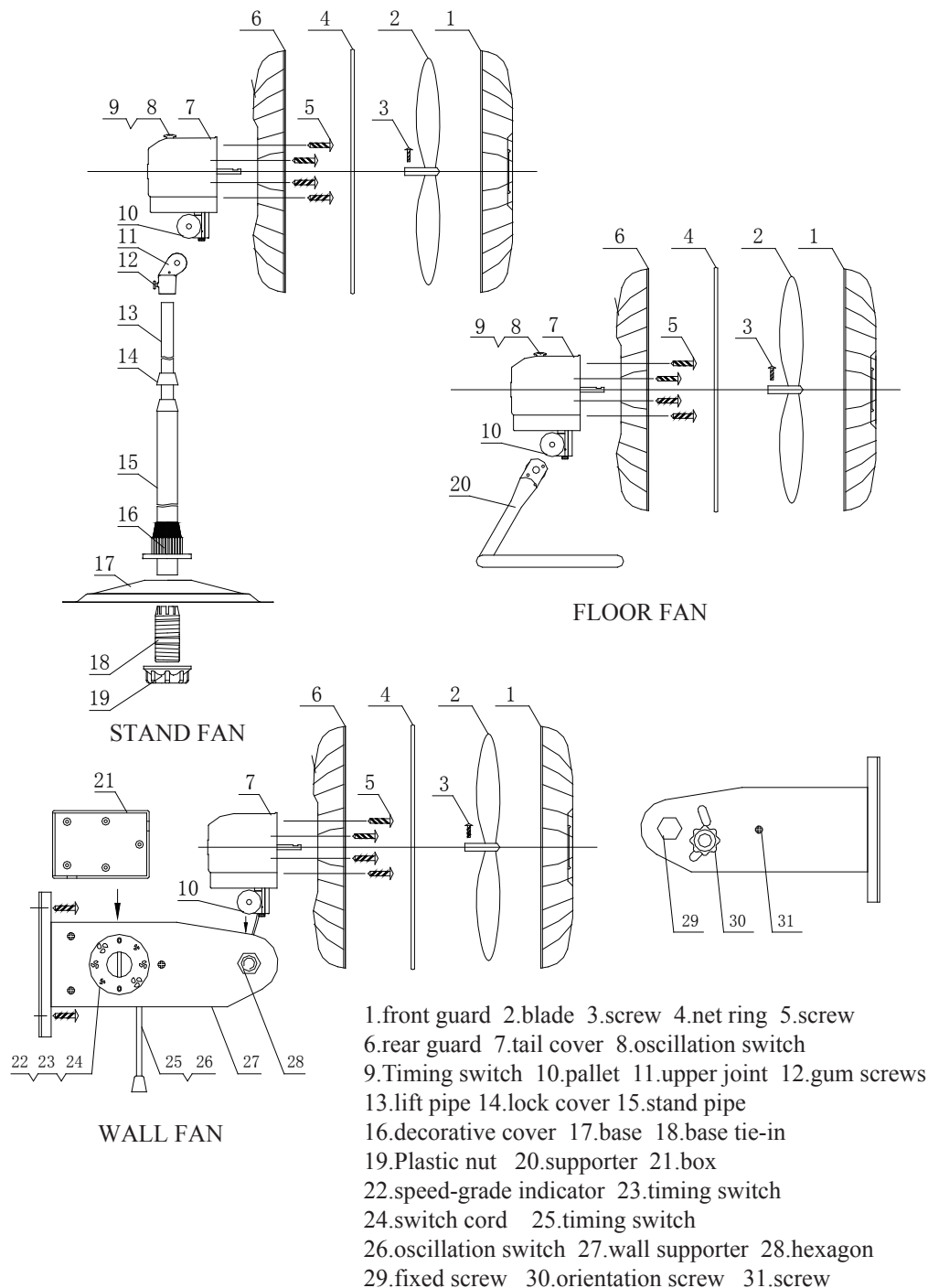
### OPERATING INSTRUCTIONS

1. Refer to assembly scheme to assemble the fan, before assemble, please check parts carefully if any damage during shipment.
2. Move blade before operation, check if flexible and any rubbing with other parts,(Don't deform the blade).
3. The voltage and frequency should same as the motor label fixed, don't use it in corrosive and other wet environment.
4. Don't use the fan beyond the height of elevation 1000 meters. and don't use in place with temperature over 40°C.
5. When power supply come from socket, the play must accord with IEC335-1. When the power code is connected with charging line directly, all-polarity switch that the contact gap is 3mm at least must be in the charging line.
6. By turning switch (9)of floor fan and stand fan can get three speeds, select one of three speeds, on switch label 0,1,2,3 indicates OFF,SLOW SPEED, MEDIUM SPEED,HIGH SPEED.wall Fan can pull the timing-switch(25) or turn the switch(23)get three speeds.lable 0 indicates OFF,  for HIGH SPEED,  for MEDIUM SPEED,  for SLOW SPEED.
7. Oscillation control: For Stand Fan and Floor Fan,press oscillating-button (8) to make the fan oscillate or stop oscillating.For Wall Fan,pull the oscillating-cord to oscillate or stop oscillating,and it will exchange once pulling.
8. Pitching control turn off the fan and cut the power supply, hold the top and end of the net can adjust the angle up and down, This for floor and stand fan. Fitching control for wall fan,turn off the fan and cut the power supply, hold the mount tube, unscrew(29), will adjustable,then fixed the screw.
9. Height control for stand fan, turn off the fan and stop moving, hold the up-Joint (11), unscrew lock cover(14) and adjust the height, then fixed the lock cover.
10. The lowest installation height of wall fan is more than 2.3m.
11. Base Mounting: take down the plastic nut on the stand pole, make the stand pole through the base, then screw the plastic nut tightly.



| Model | A   | B   | C   | D   | E   | F   | G   | H    |
|-------|-----|-----|-----|-----|-----|-----|-----|------|
| 45T-S | 450 | 510 | 273 | /   | 155 | 760 | 505 | 1380 |
| 45T-G | 450 | 510 | 273 | /   | /   | /   | 295 | 245  |
| 45T-W | 450 | 510 | 273 | 174 | /   | /   | /   | /    |
| 50T-S | 500 | 560 | 273 | /   | 155 | 760 | 505 | 1380 |
| 50T-G | 500 | 560 | 273 | /   | /   | /   | 295 | 245  |
| 50T-W | 500 | 560 | 273 | 174 | /   | /   | /   | /    |

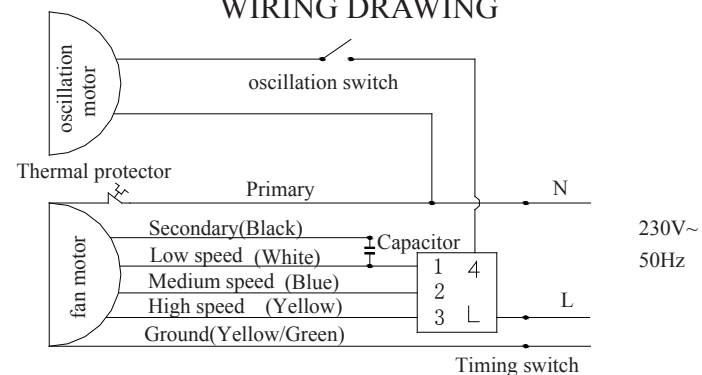
ASSEMBLY SKETCH MAP



WARNING

1. Don't place fingers or foreign objects through guards into blade, and don't let children close the fan when the fan is running.
2. Bare-body children, weakling and elder should not stay in front of the running fan for a long time.
3. Don't place the running fan near opened window or flower or tree or the curtain, portiere and suchlike places, also don't place the fan in some unplanned place.
4. Close power supply before removing the fan.
5. During operation, cut off the power if appear rubbing sound, rising smoke, move stopped, send it to check and repair to maintenance station or our factory.
6. If has breakdown of wire, to ensure safety, please send to maintenance station or our factory.
7. Don't use the three-prong plug with a two-prong socket.
8. Besides our stating maintenances, non-professional is forbidden to disassemble the fan.
9. WARNING: "ONLY INDOOR USE".

WIRING DRAWING



TECHNICAL PARAMETER

| Parameter \ Item | Stage 1 |           |                                |          | Stage 2 |           |                                |          | Stage 3 |           |                                |          |
|------------------|---------|-----------|--------------------------------|----------|---------|-----------|--------------------------------|----------|---------|-----------|--------------------------------|----------|
|                  | Power W | Speed rpm | Air volume m <sup>3</sup> /min | Noise dB | Power W | Speed rpm | Air volume m <sup>3</sup> /min | Noise dB | Power W | Speed rpm | Air volume m <sup>3</sup> /min | Noise dB |
| 45T-S            | 55      | 950       | 50                             | 48       | 60      | 1200      | 75                             | 50       | 75      | 1360      | 90                             | 55       |
| 45T-W            | 55      | 950       | 50                             | 48       | 60      | 1200      | 75                             | 50       | 75      | 1360      | 90                             | 55       |
| 45T-G            | 55      | 950       | 50                             | 48       | 60      | 1200      | 75                             | 50       | 75      | 1360      | 90                             | 55       |
| 50T-S            | 80      | 950       | 60                             | 50       | 90      | 1200      | 85                             | 52       | 110     | 1360      | 120                            | 58       |
| 50T-W            | 80      | 950       | 60                             | 50       | 90      | 1200      | 85                             | 52       | 110     | 1360      | 120                            | 58       |
| 50T-G            | 80      | 950       | 60                             | 50       | 90      | 1200      | 85                             | 52       | 110     | 1360      | 120                            | 58       |

Note: No further notice if above indices change.